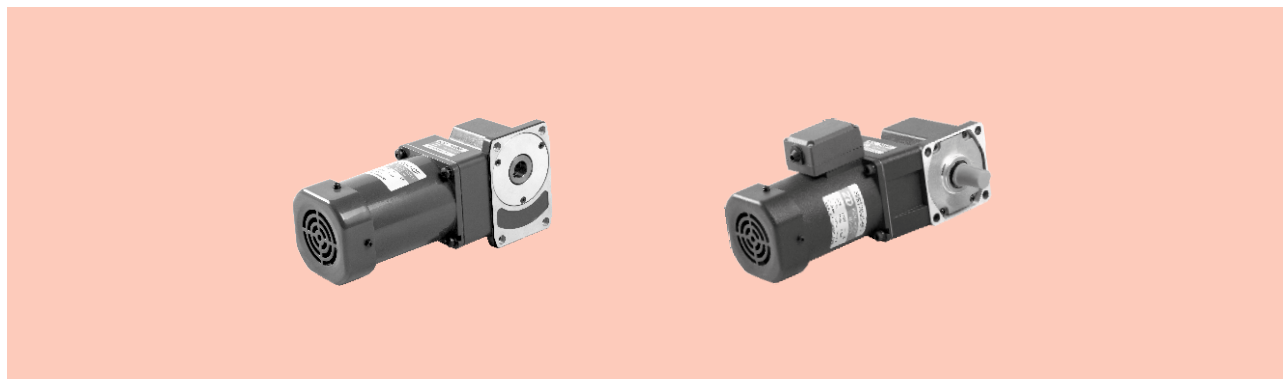


可逆电动机 REVERSIBLE MOTORS

■ 120W □ 90mm



规格 Specs 30分钟额定 30 Minutes Rating

型号Model · 类型 Type 上段:齿轮轴 Upper:Pinion Shaft 下段()内:圆轴 Below:Round Shaft		输出功率 Output power W	电压 Voltage V	频率 Frequency Hz	电流 Current A	启动转矩 Starting Torque mN.m	额定转矩 Rated Torque mN.m	额定转速 Rated Speed r/min	电容器容量 Capacitor μF
导线型 Lead Wire Type 外形图Dimensions①	带端子箱型 Terminal Box Type 外形图Dimensions②								
5RK120GU-AF	5RK120GU-AFT	120	1ph 100	50	2.25	700	930	1250	35
				60	2.85		750	1550	
5RK120GU-EF	5RK120GU-EFT	120	1ph 110	60	1.90	650	750	1550	30
			1ph 120			720			
5RK120GU-CF	5RK120GU-CFT	120	1ph 220	50	1.15	720	930	1250	8.0
			1ph 230						
5RK120GU-HF	5RK120GU-HFT	120	1ph 220	60	1.20	720	750	1550	8.0
			1ph 230						

- 可逆电动机的额定转矩、启动转矩数值均为未安装简易制动时的数值。
Values shown for rated torque and starting torque are measured for operation without the friction brake installed.
- 各种安全规格以电动机铭牌上的型号取得认定。
When the motor is approved under various safety standards, the model name on the nameplate is the approved model name.
- (P): 此为配件选项, 如需要此功能, 型号后需带 "P"。
This option for the parts, such as the need for this feature, models need to bring "P".
- 电动机温度下降后会自动恢复运行, 故在进行检查作业时请务必事先切断电源。
When the motor temperature drops, the thermal protector closes and the motor restarts. Be sure to turn the motor off before inspecting.
- 注: "-A" 型号中电压为110V时, 配置电容器容量以实际铭牌为准。
Note: "-A" it means the voltage 110V, the assembly capacitor vaule it is according the labe.

装有减速器时的容许转矩 Gear Motor-Torque Table

- 减速器-中间减速器另售。● 电动机型号的□中为表示带端子箱型的记号(T)。
Gearhead and mid-gearbox can be sold separately. Enter the code that represents the terminal box type (T) in the box (□) within the model name.
- 减速器型号的□中为减速比的数值。□色表示与电动机同一方向运转, 其他则为相反方向。
Enter the gear ratio in the box (□) within the model name.
The colored background □ indicates the same rotating direction of the motor while the rotating direction of others are opposite.
- 转速是以电动机的同步转速 (50Hz:1500r/min、60Hz:1800r/min) 为基准除以减速比而算出来的数值。实际转速将随负载大小变化而比所示数值减少2%~20%左右。
The speed is calculated by diving the motor's synchronous speed (50Hz:1500r/min、60Hz:1800r/min) by the gear ratio. The actual speed is 2%~20% less than the displayed value, depending on the size of the load.
- 希望以大于下表的减速比进行进一步减速时, 可在电动机与减速器之间安装减速比为10的中间减速器。这时的容许转矩为20N·m。
To reduce the speed beyond the gear ratio in the table, attach a mid-gearbox (gear ratio:10) between the gearhead and motor. In that case, the permissible torque is 20N·m.

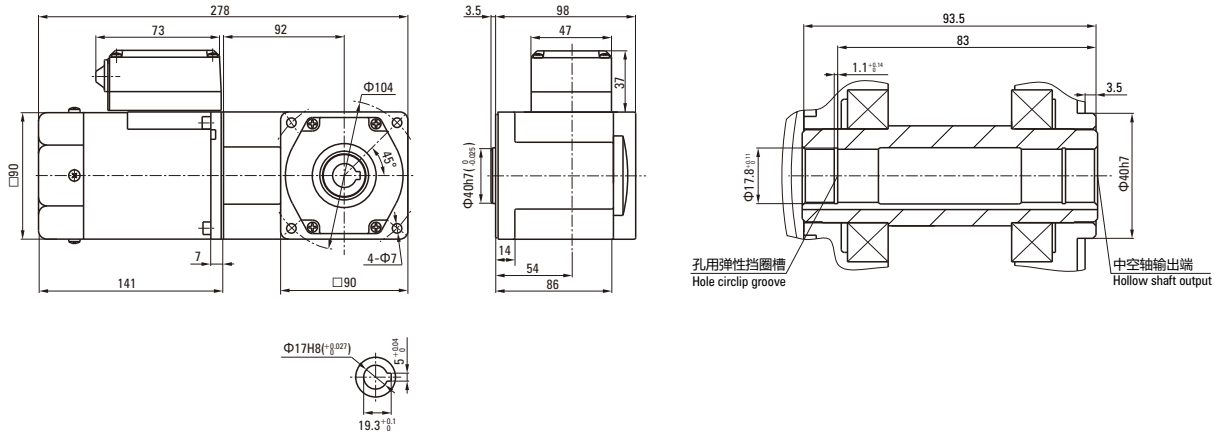
弧锥直角 SPIRAL BEVEL RIGHT ANGLE

容许力矩单位 Allowance Torque Unit: 上段 Upside (N.m) / 下段 Belowside (kgf.cm)

机型Type		电动机/减速器 Motor/Gearhead	减速比Gear Ratio	7.5	9	12.5	15	18	25	30	36	50	60	75	90	100	120	150	180			
转速Speed r/min				50Hz	200	166	120	100	83	60	50	41	30	25	20	16	15	12	10	8		
5RK120GU-AF□ 5RK120GU-EF□ 5RK120GU-CF□ 5RK120GU-HF□	5GU□RC	容许力矩 Allowance Torque	50Hz	4.73	5.68	7.89	9.47	11.4	15.8	18.9	20.0	20.0	20.0	20.0	20.0	20.0	20.0	20.0	20.0	20.0		
				48.3	58.0	80.5	96.6	116	161	193	200	200	200	200	200	200	200	200	200	200	200	
			60Hz	3.82	4.58	6.36	7.64	9.16	12.7	15.3	16.5	20.0	20.0	20.0	20.0	20.0	20.0	20.0	20.0	20.0	20.0	20.0
				39.0	46.7	64.9	77.9	93.5	130	156	168	200	200	200	200	200	200	200	200	200	200	200

电机尺寸图 Motor Size Chart

5RK120GU-AF□/5GU□RT 5RK120GU-CF□/5GU□RT
5RK120GU-EF□/5GU□RT 5RK120GU-HF□/5GU□RT



5RK120GU-AF□/5GU□RT 5RK120GU-CF□/5GU□RT
5RK120GU-EF□/5GU□RT 5RK120GU-HF□/5GU□RT

