

# 无励磁动作型电磁制动电动机 POWER OFF ACTIVATED TYPE ELECTROMAGNETIC BRAKE MOTOR

140W □ 104mm



## 规格 Specs / 电动机 Motor

● 没有内藏简易制动 This type of motor does not contain a built-in simple brake mechanism.

| 型号Model · 类型 Type<br>导线型 Lead Wire Type |                    | 额定<br>Rating | 输出功率<br>Output<br>power<br>W | 电压<br>Voltage<br>V | 频率<br>Frequency<br>Hz | 电流<br>Current<br>A | 启动转矩<br>Starting<br>Torque<br>mN.m | 额定转矩<br>Rated<br>Torque<br>mN.m | 额定转速<br>Rated<br>Speed<br>r/min | 电容器容量<br>Capacitor<br>μF |
|---|--------------------|--------------|------------------------------|--------------------|-----------------------|--------------------|------------------------------------|---------------------------------|---------------------------------|--------------------------|
| 齿轮轴型<br>Pinion Shaft                    | 圆轴型<br>Round Shaft |              |                              |                    |                       |                    |                                    |                                 |                                 |                          |
| 6RK140GU-AFM                            | 6RK140A-AFM        | 30min        | 140                          | 1ph 100            | 50                    | 2.70               | 700                                | 1080                            | 1250                            | 35.0                     |
|   |                    |              |                              |                    | 60                    | 3.00               |                                    | 870                             |                                 |                          |
| 6RK140GU-EFM                            | 6RK140A-EFM        | 30min        | 140                          | 1ph 110            | 60                    | 1.80               | 700                                | 850                             | 1550                            | 25.0                     |
|   |                    |              |                              | 1ph 120            |                       | 1.95               |                                    |                                 |                                 |                          |
| 6RK140GU-CFM                            | 6RK140A-CFM        | 30min        | 140                          | 1ph 220            | 50                    | 1.05               | 850                                | 1040                            | 1250                            | 10.0                     |
|   |                    |              |                              | 1ph 230            |                       | 1.15               |                                    |                                 |                                 |                          |
| 6RK140GU-HFM                            | 6RK140A-HFM        | 30min        | 140                          | 1ph 220            | 60                    | 1.05               | 750                                | 850                             | 1550                            | 10.0                     |
|   |                    |              |                              | 1ph 230            |                       | 1.15               |                                    |                                 |                                 |                          |
| 6RK140GU-SM                             | 6RK140A-SM         | 30min        | 140                          | 3ph 220            | 50                    | 0.85               | 2700                               | 1080                            | 1250                            | -                        |
|   |                    |              |                              |                    | 60                    | 0.75               |                                    | 870                             |                                 |                          |
| 6RK140GU-S3M                            | 6RK140A-S3M        | 30min        | 140                          | 3ph 380            | 50                    | 0.49               | 2700                               | 1080                            | 1250                            | -                        |
|   |                    |              |                              |                    | 60                    | 0.43               |                                    | 870                             |                                 |                          |

- 各种安全规格以电动机铭牌上的型号取得认定。  
When the motor is approved under various safety standards, the model name on the nameplate is the approved model name.
- (T): 内藏热保护装置 (自动复位型)。在电动机因某种原因过热时会自行启动使电动机停止。  
Contains a built-in thermal protector(automatic return). If a motor overheats for any reason, the thermal protector is opened and the motor stops.
- 电动机温度下降后会启动恢复运行, 故在进行检查作业时请务必先切断电源。  
When the motor temperature drops, the thermal protector closes and the motor restarts. Be sure to turn the motor off before inspecting.
- 注: “-A” 型号中电压为110V时, 配置电容器容量以实际铭牌为准。  
Note: “-A” it means the voltage 110V, the assembly capacitor value it is according to the label.

## 种类 Type

● 电动机 Motor

| 机型<br>Type                  | 型号Model              |                    |
|-----------------------------|----------------------|--------------------|
|                             | 齿轮轴型<br>Pinion Shaft | 圆轴型<br>Round Shaft |
| 导线型<br>Lead<br>Wire<br>Type | 6RK140GU-AFM         | 6RK140A-AFM        |
|                             | 6RK140GU-EFM         | 6RK140A-EFM        |
|                             | 6RK140GU-CFM         | 6RK140A-CFM        |
|                             | 6RK140GU-HFM         | 6RK140A-HFM        |
|                             | 6RK140GU-SFM         | 6RK140A-SFM        |
|                             | 6RK140GU-S3FM        | 6RK140A-S3FM       |

● 平行轴减速器 (另售) Parallel Shaft Gearhead (Sold Separately)

| 减速器种类<br>Gearhead Type              | 减速器型号<br>Gearhead Model | 减速比<br>Gear Ratio  |
|-------------------------------------|-------------------------|--|
| 长寿命●低噪音<br>Long Life ● Low<br>Noise | 6GU□K                   | 3、3.6、5、6、7.5、9、10、<br>12.5、15、18、20、25、30、<br>36、40、50、60、75、90、<br>100、120、150、180、200 |

- 减速器型号的□中为减速比的数值  
Enter the gear ratio in the box (□) within the model name

### ■ 装有减速器时的容许转矩 Gear Motor-Torque Table

- 减速器另售·中间减速器另售。电动机型号的□中为表示带端子箱型的记号(T)。  
Gearhead and mid-gearbox can be sold separately. Enter the code that represents the terminal box type (T) in the box (□) within the model name.
- 减速品型号的□中为减速比的数值。  
Enter the gear ratio in the box (□) within the model name.
- □色表示与电动机同一方向运转，其他则为相反方向。  
The colored background □ indicates the same rotating direction of the motor while the rotating direction of others are opposite.
- 转速是以电动机的同步转速 (50Hz : 1500r/min、60Hz : 1800r/min) 为基准除以减速比而算出来的数值。实际转速将随负载大小变化所示数值减少2%~20%左右。  
The speed is calculated by dividing the motor's synchronous speed (50Hz : 1500r/min、60Hz : 1800r/min) by the gear ratio. The actual speed is 2%~20% less than the displayed value, depending on the size of the load.

### ■ 容许力矩单位 Allowance Torque Unit : 上段 Upside ( N.m ) /下段 Belowside ( kgf.cm )

| 类型 Type<br>电动机/减速机<br>Motor/Gearhead                          | 减速比<br>Gear Ratio |              | 3    | 3.6  | 5    | 6    | 7.5  | 9    | 10   | 12.5 | 15   | 18   | 20   | 25   | 30   | 36   | 40   | 50   | 60   | 75   | 90   | 100  | 120  | 150  | 180  | 200  |      |      |
|---|-------------------|--------------|------|------|------|------|------|------|------|------|------|------|------|------|------|------|------|------|------|------|------|------|------|------|------|------|------|------|
|   | 转速<br>Speed r/min | 50Hz<br>60Hz | 500  | 417  | 300  | 250  | 200  | 166  | 150  | 120  | 100  | 83   | 75   | 60   | 50   | 41   | 37   | 30   | 25   | 20   | 16   | 15   | 12.5 | 10   | 8.3  | 7.5  |      |      |
| 6RK140GU-AFM<br>6RK140GU-CFM<br>6RK140GU-SFM<br>6RK140GU-S3FM | 6GU□K             | 50Hz         | 2.60 | 3.10 | 4.40 | 5.20 | 6.60 | 7.90 | 7.80 | 9.90 | 11.8 | 14.2 | 14.0 | 17.8 | 21.4 | 25.7 | 28.0 | 35.6 | 40.0 | 40.0 | 40.0 | 40.0 | 40.0 | 40.0 | 40.0 | 40.0 | 40.0 |      |
|   |                   |              | 26.5 | 31.6 | 44.8 | 53.0 | 67.3 | 80.6 | 79.6 | 101  | 120  | 144  | 143  | 181  | 218  | 262  | 286  | 263  | 400  | 400  | 400  | 400  | 400  | 400  | 400  | 400  | 400  | 400  |
|   |                   | 60Hz         | 2.50 | 3.00 | 4.20 | 5.10 | 6.30 | 7.60 | 7.20 | 9.50 | 11.4 | 13.7 | 13.0 | 17.2 | 20.6 | 24.7 | 26.0 | 34.3 | 40.0 | 40.0 | 40.0 | 40.0 | 40.0 | 40.0 | 40.0 | 40.0 | 40.0 | 40.0 |
|   |                   |              | 25.5 | 30.6 | 42.8 | 52.0 | 63.2 | 77.5 | 73.6 | 96.9 | 116  | 139  | 133  | 175  | 210  | 252  | 265  | 349  | 400  | 400  | 400  | 400  | 400  | 400  | 400  | 400  | 400  | 400  |

### ■ 容许力矩单位 Allowance Torque Unit : 上段 Upside ( N.m ) /下段 Belowside ( kgf.cm )

| 类型 Type<br>电动机/减速机<br>Motor/Gearhead  | 减速比<br>Gear Ratio |              | 3    | 3.6  | 5    | 6    | 7.5  | 9    | 10   | 12.5 | 15   | 18   | 20   | 25   | 30   | 36   | 40   | 50   | 60   | 75   | 90   | 100  | 120  | 150  | 180  | 200  |      |      |
|---|-------------------|--------------|------|------|------|------|------|------|------|------|------|------|------|------|------|------|------|------|------|------|------|------|------|------|------|------|------|------|
|   | 转速<br>Speed r/min | 50Hz<br>60Hz | 600  | 500  | 360  | 300  | 240  | 200  | 180  | 144  | 120  | 100  | 90   | 72   | 60   | 50   | 45   | 36   | 30   | 24   | 20   | 18   | 15   | 12   | 10   | 9    |      |      |
| 6RK140GU-AFM<br>6RK140GU-EFM<br>6RK140GU-HFM<br>6RK140GU-SFM<br>6RK140GU-S3FM | 6GU□K             | 50Hz         | 2.10 | 2.50 | 3.50 | 4.20 | 5.30 | 6.30 | 6.30 | 7.90 | 9.50 | 11.4 | 11.3 | 14.4 | 17.2 | 20.7 | 22.6 | 28.7 | 34.5 | 40.0 | 40.0 | 40.0 | 40.0 | 40.0 | 40.0 | 40.0 | 40.0 |      |
|   |                   |              | 21.4 | 25.5 | 35.7 | 42.8 | 54.0 | 64.2 | 64.2 | 80.6 | 96.9 | 116  | 115  | 147  | 175  | 211  | 231  | 292  | 352  | 400  | 400  | 400  | 400  | 400  | 400  | 400  | 400  | 400  |
|   |                   | 60Hz         | 2.10 | 2.50 | 3.40 | 4.10 | 5.20 | 6.20 | 6.10 | 7.80 | 9.30 | 11.2 | 11.0 | 14.0 | 16.8 | 20.2 | 22.0 | 28.0 | 33.7 | 40.0 | 40.0 | 40.0 | 40.0 | 40.0 | 40.0 | 40.0 | 40.0 | 40.0 |
|   |                   |              | 21.4 | 25.5 | 34.6 | 41.8 | 53.0 | 63.2 | 62.2 | 79.5 | 94.8 | 114  | 112  | 142  | 171  | 206  | 224  | 285  | 343  | 400  | 400  | 400  | 400  | 400  | 400  | 400  | 400  | 400  |

### ■ 容许悬挂负载 · 容许轴向负载 To Allow The Hoisting Of The Load Allow Axial Load

电动机 (圆轴型) → P215      Motor (Round shaft) → P215  
 减速机 → P215      Gearhead → P215

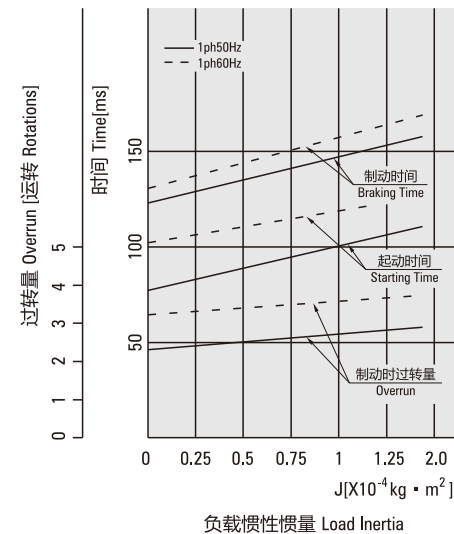
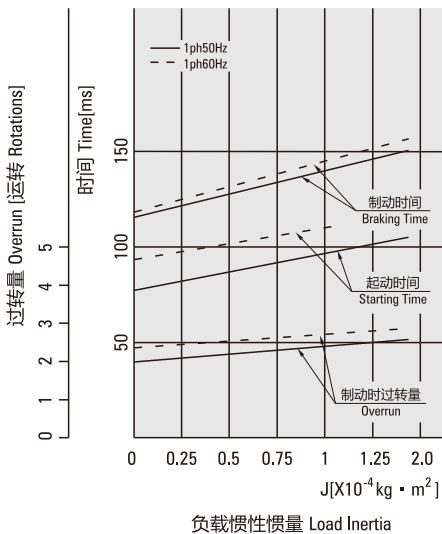
### ■ 减速机的容许负载惯性惯量 J Permissible Load Inertia J For Gearhead

→ P215页 → P215

### ■ 启动、制动特性 (参考值) Starting And Brake Characteristics (Reference Values)

● 单相电动机 Single-phase Motor

● 三相电动机 Three-phase Motor

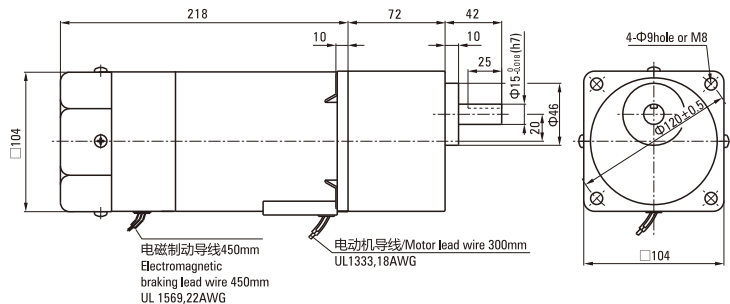


### 外形图 (单位 mm) Dimensions (Unit mm)

减速器附有安装用螺丝 Mounting screws are included with gearhead.

#### ● 导线型 Lead Wiring Type

重量 Weight : 电动机 Motor : 5.85kg 减速器 Gearhead : 2.1kg

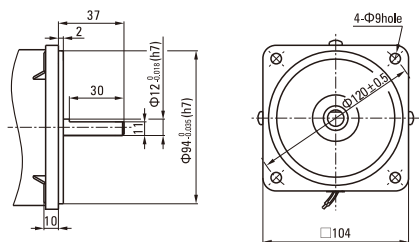


| 电动机型号<br>Motor Model  | 减速器型号<br>Gearhead Model | 减速比<br>Gear Ratio | L1 |
|---|-------------------------|-------------------|----|
| 6RK140GU-AFM<br>6RK140GU-EFM<br>6RK140GU-CFM<br>6RK140GU-HFM<br>6RK140GU-SFM<br>6RK140GU-S3FM | 6GU□K                   | 3~200             | 72 |

● 减速器型号的□中为减速比的数值  
Enter the gear ratio in the box (□) within the model name

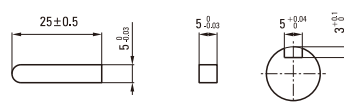
#### ● 圆轴型的转轴部分 Shaft Section of Round Shaft Type

除重量及轴部外电动机外形与齿轮轴型相同。  
Excluding weight and the shaft section motor shape are the same as those of the pinion shaft type.



#### ● 键·键槽 (减速器附件)

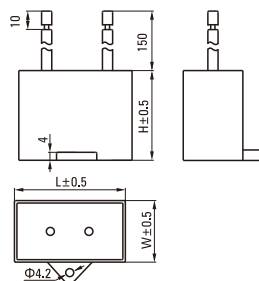
Key · Keyway (Accessory Of Gearhead)



### 电容器外形尺寸 Formal Dimension of Capacitor

| 型号Model              |                    | 电容器型号<br>Capacitor Model | L  | W  | H  |
|----------------------|--------------------|--------------------------|----|----|----|
| 齿轮轴型<br>Pinion Shaft | 圆轴型<br>Round Shaft |                          |    |    |    |
| 6RK140GU-AFM         | 6RK140A-AFM        | ZD400CFAUL               | 58 | 30 | 40 |
| 6RK140GU-EFM         | 6RK140A-EFM        | ZD300CFAUL               | 47 | 27 | 37 |
| 6RK140GU-CFM         | 6RK140A-CFM        | ZD100BFAUL               | 58 | 26 | 38 |

● 常规电容器出线为引线,也可根据客户要求配置插片式187#  
Note: Conventional capacitor is a lead wire type, Inserted 187# is optional



## ■ 连接图 Wiring Diagram

- 运转方向指从电动机轴看来的方向。CW表示顺时针方向，CCW表示逆时针方向。

The direction of motor rotation is as viewed from the shaft end of motor. CW represents the clockwise direction, while CCW represents the counterclockwise direction.

- 表中所记品名为齿轮轴型，圆轴型亦同。Name indicated in the list is pinion shaft type, also valid for the equivalent round shaft type.

| 单相电动机 Single-phase Motor                            |  |
|---|--|
| 6RK140GU-AFM、6RK140GU-EFM、6RK140GU-CFM、6RK140GU-HFM |  |

SW1为电动机的运行/停止及电磁制动操作作用开关。（连动）

SW1 operates both motor and electromagnetic brake action. (Switched simultaneously)

SW1设定于ON时，电磁制动解除，电动机开始运行。

The motor will rotate when SW1 is switched simultaneously to ON.

SW1设定于OFF时，电动机停止，电磁制动开始工作。

When SW1 is switched simultaneously to OFF, the motor stops immediately with the electromagnetic brake and holds the load.

在电动机停止状态下解除电磁制动时，应将SW1设定为非连动，而仅将黑色导线侧的触点设定为ON。

If you wish to release the brake while the motor is stopped, set the SW1 to off and connection point at the side of black lead to ON.

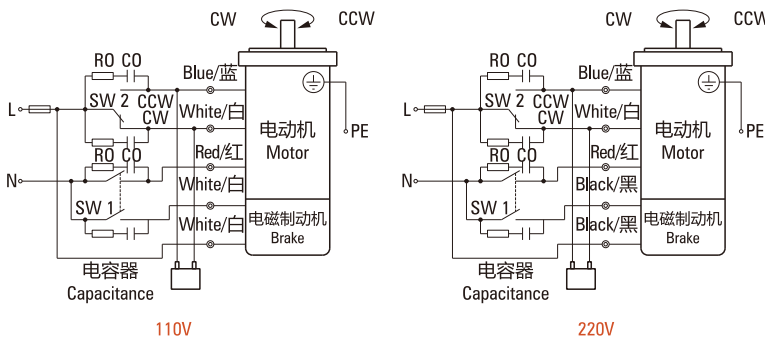
运转方向。Direction of Rotation.

将SW2转换至CW侧时，电动机作顺时针方向运转。

To rotate the motor in a clockwise (CW) direction, turn SW2 to CW.

将SW2转换至CCW侧时，电动机作逆时针方向运转。

To rotate the motor in a counterclockwise (CCW) direction, turn SW2 to CCW.



| 开关<br>号码<br>Switch<br>No. | 开关的触点容量<br>Capacitor of Switch Connection Point                     |   | 参考<br>Note                    |
|---------------------------|---|---|-------------------------------|
|                           | 单相100V、<br>110/120V输入<br>Single-Phase 100V,<br>110/120V Input       | 单相220V、<br>230V输入<br>Single-Phase 220V,<br>230V Input               |                               |
| SW1                       | AC 125V 8A以上<br>(感应负载)<br>AC 125V 8A<br>minimum<br>(Inductive Load) | AC 250V 8A以上<br>(感应负载)<br>AC 250V 8A<br>minimum<br>(Inductive Load) | 连动 Switched<br>Simultaneously |
| SW2                       |   |   | -                             |

| 三相电动机 Three-phase Motor |  |
|-------------------------|--|
| 6RK140GU-SFM(S3FM)      |  |

SW1为电动机的运行/停止及电磁制动操作作用开关。（连动）

SW1 operates both motor and electromagnetic brake action. (Switched Simultaneously)

SW1设定于ON时，电磁制动解除，电动机开始运行。

The motor will rotate when SW1 is switched simultaneously to ON.

SW1设定于OFF时，电动机停止，电磁制动开始工作。

When SW1 is switched simultaneously to OFF, the motor stops immediately with the electromagnetic brake and holds the load.

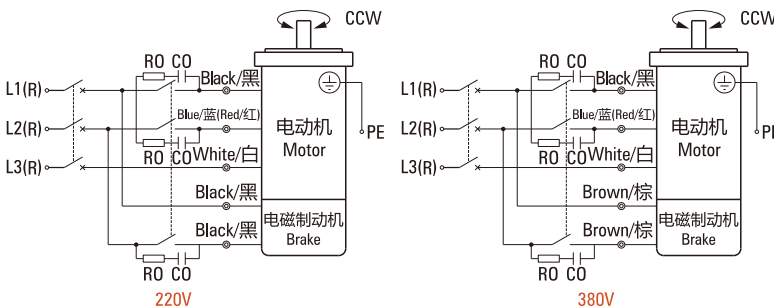
在电动机停止状态下解除电磁制动时，应将SW1设定为非连动，而仅将黑色导线侧的触点设定为ON。

If you wish to release the brake while the motor is stopped, set the SW1 to off and connection point at the side of black lead to ON.

运转方向。Direction of Rotation.

若对换R、S、T中任意二条，电动机逆时针方向运转。

To change the rotation direction, change any two connections between R, S and T.



| 开关<br>号码<br>Switch<br>No. | 开关的触点容量<br>Capacitor of Switch Connection Point                      |  | 参考<br>Note                    |
|---------------------------|--|--|-------------------------------|
|                           |  |  |                               |
| SW1                       | AC 250V 1.5A以上<br>(感应负载)<br>AC 250V 1.5A minimum<br>(Inductive Load) |  | 连动 Switched<br>Simultaneously |

请注意Notes:

- R0C0为吸收电涌电压用CR电路。[ R0=5~200Ω、C0=0.1~0.2μF、200WV (400WV) ] 请使用选购配件EPCR1201-2。

- R0C0 indicate surge suppressor circuit. [ R0=5~200Ω, C0=0.1~0.2μF, 200WV (400WV) ] EPCR1201-2 is available as an optional surge suppressor.