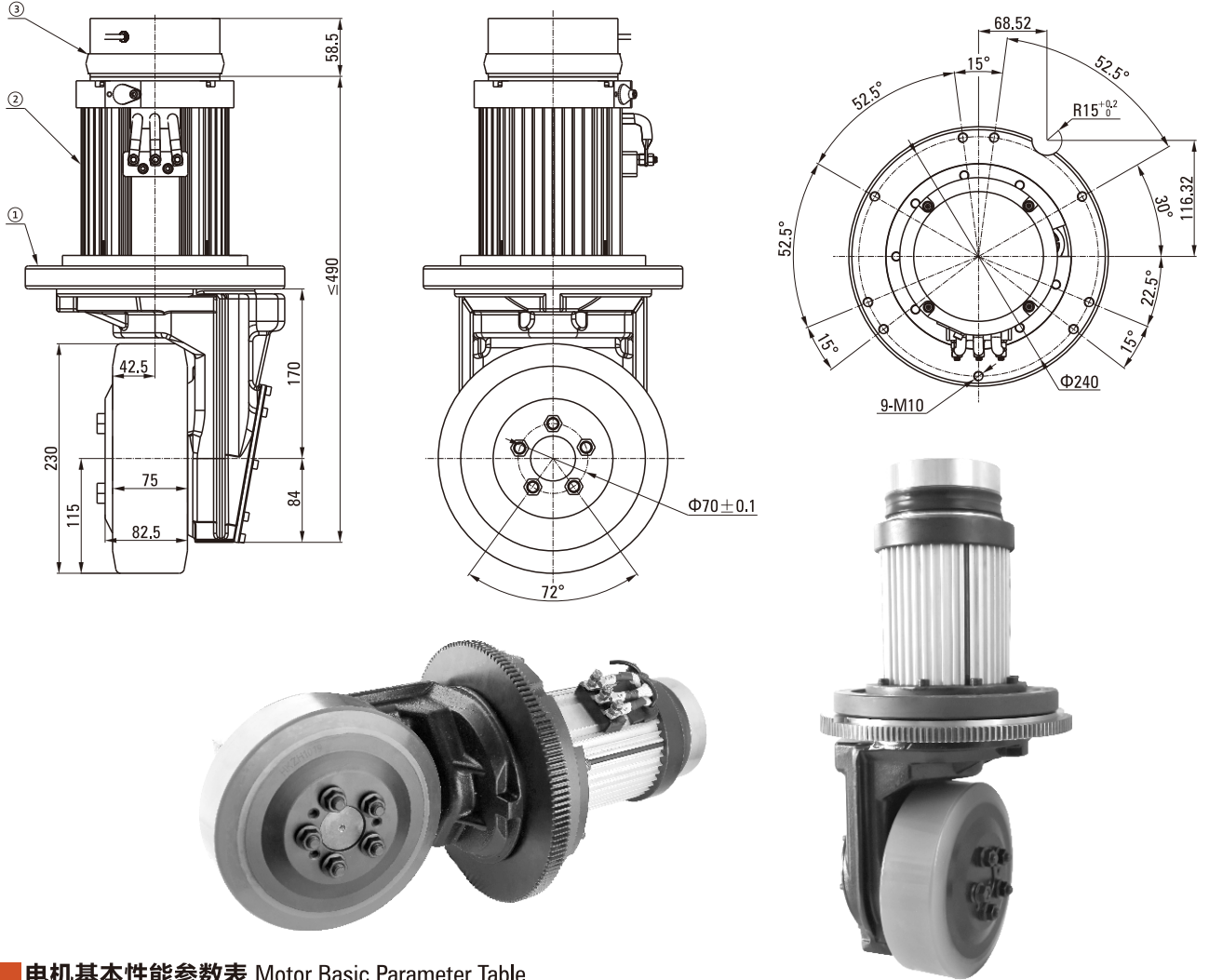


# 立式230低压交流 230 VERTICAL LOW VOLTAGE AC

## ZDL1.5KW-S16V/ZV230-004



### 电机基本性能参数表 Motor Basic Parameter Table

①减速驱动轮基本性能参数表 Geared drive wheel basic performance specs	
型号 Type	ZV-230-004
速比 Ratio	21.5K/25.59K
轮径 Wheel diameter	230mm
减速器额定承载 Reducer rated load	1300Kg
驱动轮输出扭矩 Drive wheel output torque	96.3N.m/114.6N.m
有无助力转向 Drived steer or not	无助力转向 No drived steer

③刹车基本性能参数表 Brake basic performance specs	
型号 Type	CDC-C10(24V15)16G
额定电压 Rated voltage	24V DC
额定功率 Rated power	30W
制动扭矩 Brake torque	16N.m
释放电压 Release voltage	> 1.5V DC
吸引电压 Clutch voltage	< 16.8V DC

②减速轮电机基本性能参数表 Table of basic performance parameters of gearbox motor	
型号 Type	ZDL-1.5KW-S16V
额定电压 Rated voltage	16V/90Hz AC (控制器 Controller 24V DC)
额定功率 Rated power	1.5KW
额定电流 Rated current	76A
额定转速 Rated speed	2590rpm
额定力矩 Rated torque	5.5N.m
工作制 Work duty	S2-60min
绝缘等级 Insulation resistance	F
防护等级 Protection grade	IP42
使用环境温度 Ambient temperature	-10°C ~ +40°C
噪音 Noise	< 75dB(L=100cm)
温控传感器 Temperature sensor	KTY84-150+黑色AMP两芯插座 Black AMP two core terminal seat
编码器 Encoder	48位+黑色AMP四芯插座 48 bits+black AMP four core terminal seat
	① VCC (黄色 YEL)
	② OUT A (白色 WHT)
	③ OUT B (蓝色 BLU)
	④ GND (黑色 BLK)
速度检测 Speed sensor	