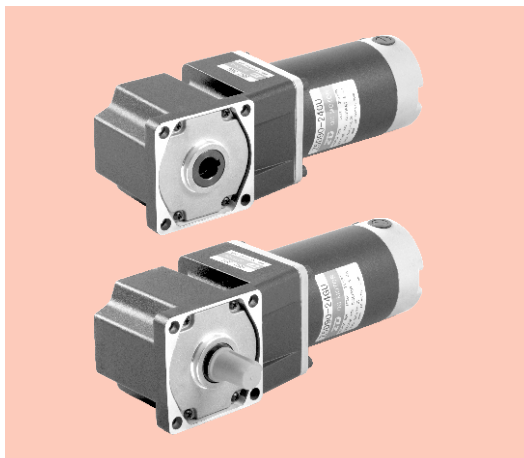


# 弧锥直角 SPIRAL BEVEL RIGHT ANGLE

■ 90W □ 90mm



## ■ 装有减速器时的容许转矩 Gear Motor-torque Table

- 减速器-中间减速器另售。  
Gearhead and mid-gearbox can be sold separately.
- 减速器品号的□中为减速比的数值。  
Enter the reduction ratio into the blank (□) within the model name.
- 色表示分别从电动机轴轴端和减速器轴轴端看时，电机轴与输出轴转向反方向运转。其他则为同一方向运转。  
□ Indicates the opposite rotating direction between motor shaft and gearbox shaft while others are in same direction.
- 转速是以电动机的额定转速为基准除以减速比而算出来的数值。实际转速将随负载大小变化而比所示数值减少2%~20%左右。  
The speed is calculated by dividing the motor's synchronous speed by the reduction ratio. The actual speed is 2%~20% less than the displayed value, depending on the size of the load.
- 希望以大于下表的减速比进行进一步减速时，可在电动机与减速器之间安装减速比为10的中间减速器。这时的容许转矩为20N·m。  
To reduce the speed beyond the gear ratio in the table, attach a mid-gearbox (gear ratio:10) between the gearhead and motor. In that case, the permissible torque is 20N·m.

## ■ 容许力矩单位 Allowance Torque Unit: 上段 Upside (N.m) / 下段 Belowside (kgf.cm)

类型 Type 电动机/减速机 Motor/Gearhead	减速比 Gear Ratio	7.5	9	12.5	15	18	25	30	36	50	60	75	90	100	120	150	180
	转速 Speed r/min	373	311	224	186	155	112	93	77	56	46	37	31	28	23	18	15
Z5D90-24GU-28S	5GU□RC	1.68	2.01	2.80	3.36	4.03	5.59	6.71	7.25	10.1	12.1	15.1	18.1	20.0	20.0	20.0	20.0
	5GU□RT	17.1	20.5	28.6	34.3	41.1	57.0	68.4	74.0	103	123	154	185	200	200	200	200

## ■ 外形图 (单位: mm) Dimensions (Unit: mm)

