

电动机 ELECTRIC MOTOR

750W

● 平行轴减速机 Parallel shaft speed reducer

型号 Model number	电机型号 Motor type	减速器型号 Type of reducer	减速比 Deceleration ratio	L
Z6BLD750-220GSL-30S/6GU□SL	Z6BLD750-220GSL-30S	6GU□SL	5 ~ 50	85.8

注Note : □——速比数值 Velocity ratio value

SL系列整机容许力矩 Machine allowable torque

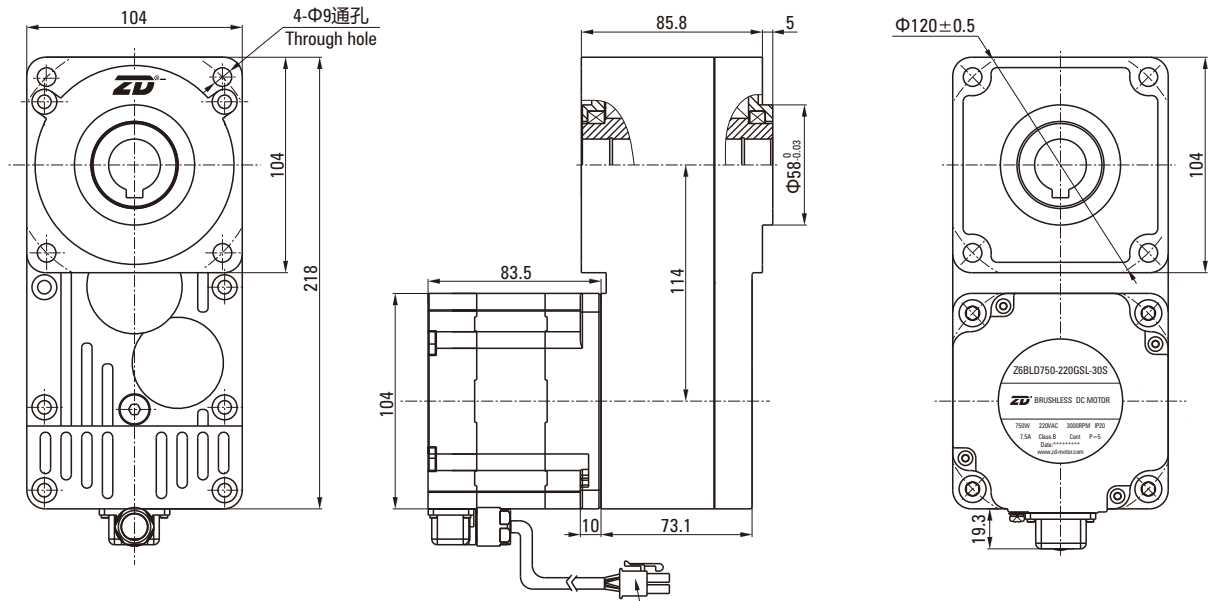
● 平行轴减速机 Parallel shaft speed reducer

单位Unit: N·m

输出功率 Output power	电机轴转速 Motor speed	减速比 Reduction ratio									
		5	7.5	10	15	20	25	30	40	50	
750W	80 ~ 2000r/min时	13.07	19.61	26.14	39.21	52.29	65.36	78.43	87.14	87.14	
	3000r/min时	8.71	13.07	17.43	26.14	34.86	43.57	52.29	69.72	87.14	
	4000r/min时	6.54	9.80	13.07	19.61	26.14	32.68	39.21	52.29	65.36	

注Note : 表格中所有旋转方向与电机转向相反。All rotation directions in the table are opposite to motor steering.
(不同转速及速比下的力矩为ZD标准驱动器下测试所得。The torque under different speed and speed ratio is obtained under the ZD standard)

外观尺寸图 Dimensional drawing



● 输出轴内孔结构 The output shaft hole structure

连接器插头: 5557-10R(MOLEX)
护套引出线长度300mm

