

电动机 ELECTRIC MOTOR

200W

● 平行轴减速机 Parallel shaft speed reducer

型号 Model number	电机型号 Motor type	减速机型号 Type of reducer	减速比 Deceleration ratio	L
Z4BLD200-220GSL-30S/4GU□SL	Z4BLD200-220GSL-30S	4GU□SL	5 ~ 50	56.5

注Note : □——速比数值 Velocity ratio value

SL系列整机容许力矩 Machine allowable torque

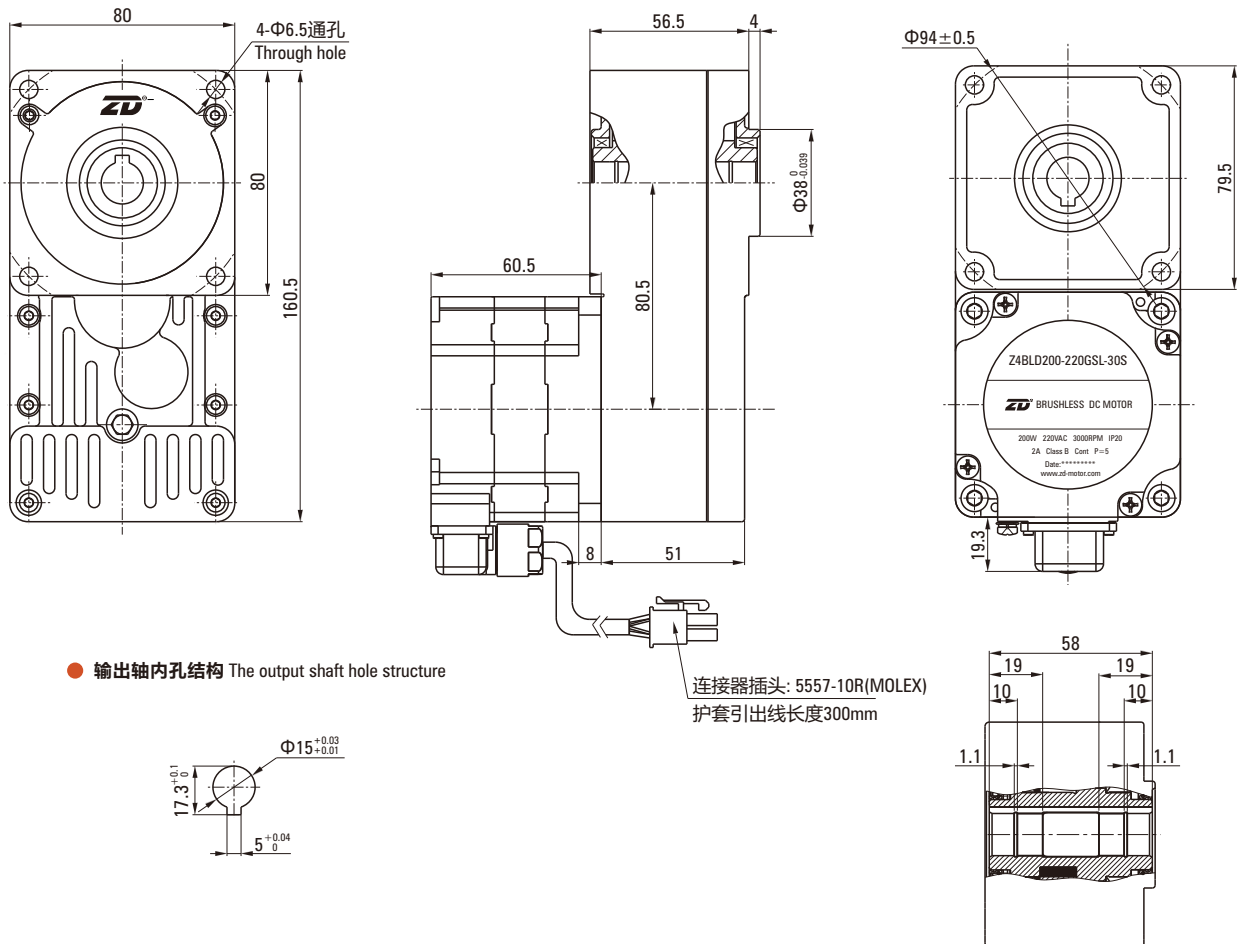
● 平行轴减速机 Parallel shaft speed reducer

单位Unit: N·m

输出功率 Output power	电机轴转速 Motor speed	减速比 Reduction ratio									
		5	7.5	10	15	20	25	30	40	50	
200W	80 ~ 2000r/min时	3.49	5.23	6.97	10.46	13.94	17.43	20.91	23.24	23.24	
	3000r/min时	2.32	3.49	4.65	6.97	9.30	11.62	13.94	18.59	23.24	
	4000r/min时	1.74	2.61	3.49	5.23	6.97	8.71	10.46	13.94	17.43	

注Note : 表格中所有旋转方向与电机转向相反。All rotation directions in the table are opposite to motor steering.
(不同转速及速比下的力矩为ZD标准驱动器下测试所得。The torque under different speed and speed ratio is obtained under the ZD standard)

外观尺寸图 Dimensional drawing



● 输出轴内孔结构 The output shaft hole structure