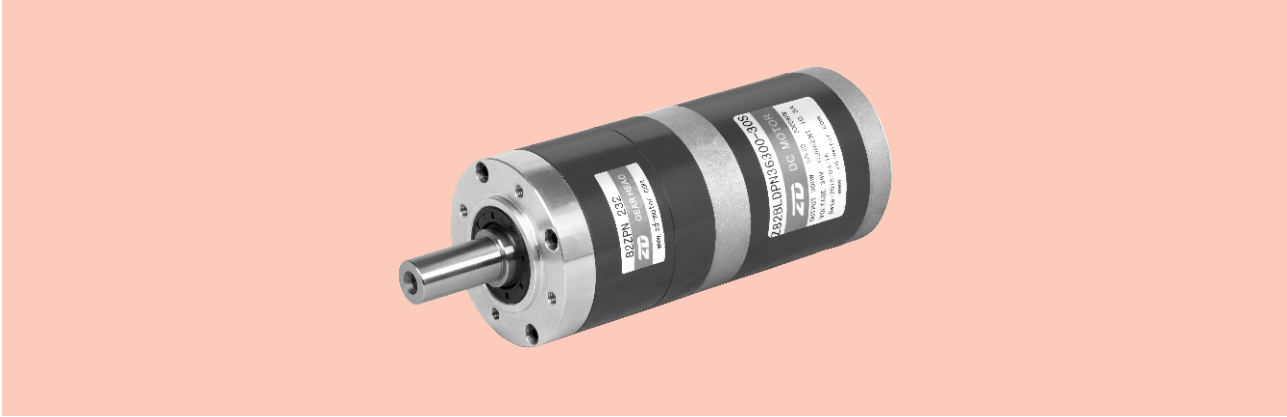
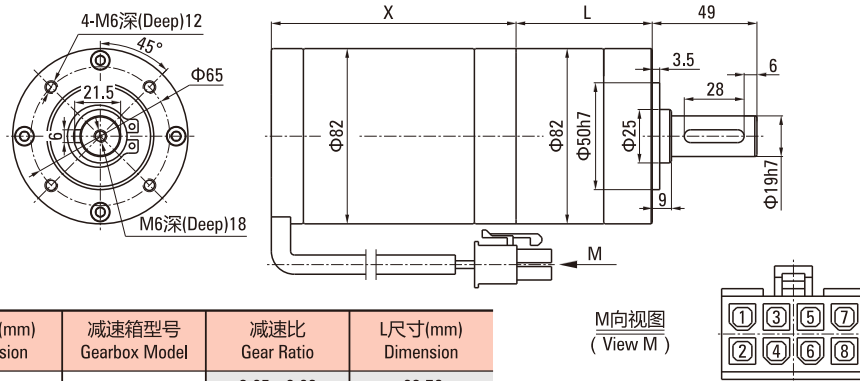


ZPN系列
ZPN SERIES

■ ZPNΦ82 BRUSHLESS无刷



■ 外径82直流无刷行星减速电机外形图纸 Outside Diameter 82 DC Brushless Motor



电机型号 Motor Type	X尺寸 (mm) Dimension	减速箱型号 Gearbox Model	减速比 Gear Ratio	L尺寸 (mm) Dimension
Z82BLDPN24200-30S	114.5	82PN□	3.65~8.63	63.70
Z82BLDPN24300-30S	136.5		13.53~58.22	80.50
			67.08~392.98	103.2

M向视图 (View M)

1	2	3	4	5	6	7	8
U	V	W	GND	Hv	Hw	Hu	+Vcc

■ 无刷直流电机技术参数 BLDC Motor Technical Data

电机型号 Motor Type	电压 Voltage V	额定功率 Rated Power W	额定电流 Rated Current A	额定转速 Rated Speed RPM	额定力矩 Rated Torque N.m	防护等级 Grade Protection IP
Z82BLDPN24200-30S	24	200	12	3000	0.637	20
Z82BLDPN24300-30S	24	300	18	3000	0.955	20

■ 无刷直行星减速电机技术参数 BLDC Planetary Gear Motor Technical Data-Z82BLDPN24200-30S

减速比 Ratio	3.65	5.36	6.55	8.63	13.53	18.92	24.65	28.05	33.92	44.69	58.22	67.08	81.11
输出轴转速 r/min Output shaft speed	822	560	458	348	222	159	122	107	88	67	52	45	37
允许力矩 N.m Allowable torque	2.09	3.07	3.75	4.94	6.98	9.76	12.71	14.47	17.49	23.05	30.02	31.18	37.70
减速级数 Reduction stage	1	1	1	1	2	2	2	2	2	2	2	3	3

减速比 Ratio	91.36	102.88	118.98	127.74	145.36	165.64	191.56	231.61	301.68	392.98			
输出轴转速 r/min Output shaft speed	33	29	25	23	21	18	16	13	10	8			
允许力矩 N.m Allowable torque	42.46	47.82	55.30	59.37	67.56	76.98	89.03	107.64	120.0	120.0			
减速级数 Reduction stage	3	3	3	3	3	3	3	3	3	3			