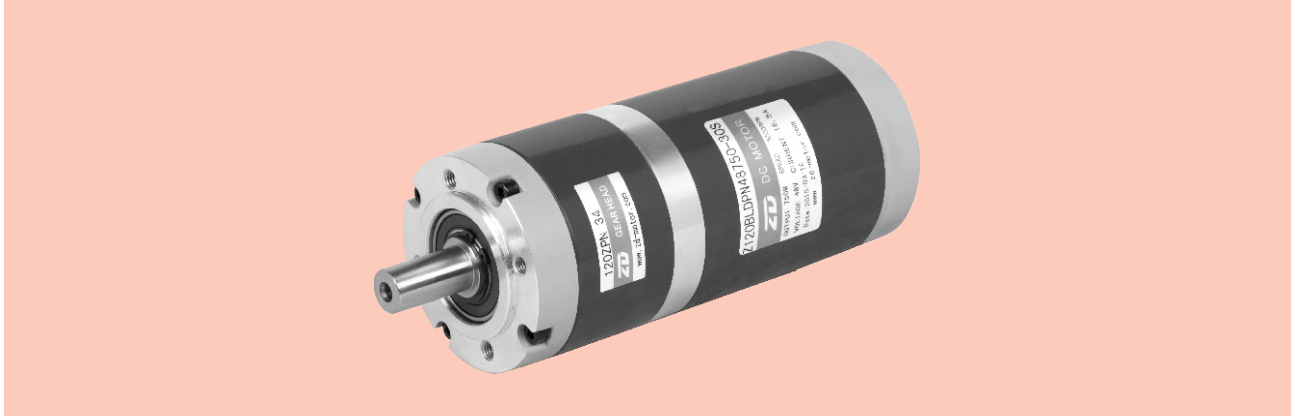
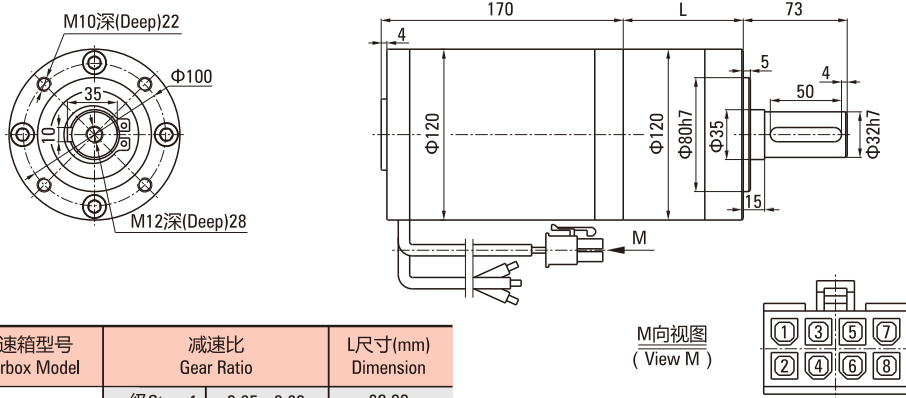


ZPN系列
ZPN SERIES

■ ZPNΦ120 BRUSHLESS无刷



■ 外径120直流无刷行星减速电机外形图纸 Outside Diameter 120 DC Brushless Motor



电机型号 Motor Type	减速箱型号 Gearbox Model	减速比 Gear Ratio	L尺寸(mm) Dimension
Z120BLDPN	120ZPN□	一级Stage1	3.65~8.63
		二级Stage2	14~58
		三级Stage3	67~393

1	2	3	4	5	6	7	8
			GND	Hv	Hw	Hu	+Vcc

■ 无刷直流电机技术参数 BLDC Motor Technical Data

电机型号 Motor Type	电压 Voltage V	功率 Power W	空载电流 No-load Current A	空载转速 No-load Speed RPM	额定电流 Rated Current A	额定转速 Rated Speed RPM	额定力矩 Rated Torque N.m	电机寿命 Motor Life H
Z120BLDPN24400-30S	24	400	3.0	3500	20.5	3000	1.273	5000
Z120BLDPN48750-30S	48	750	2.5	3600	18.5	3000	2.388	5000
Z120BLDPN48900-30S	48	900	2.5	3700	23.5	3000	2.865	5000

■ 无刷直行星减速电机技术参数 BLDC Planetary Gear Motor Technical Data-Z120BLDPN48750-30S

减速比 Ratio	3.65	5.36	6.55	8.63	13.53	18.92	24.65	28.05	33.92	44.69	58.22	67.08	81.11
输出轴转速 r/min Output shaft speed	822	560	458	348	222	159	122	107	89	67	52	45	37
允许力矩 N.m Allowable torque	7.84	11.52	14.07	18.54	26.17	36.59	47.67	54.25	65.60	86.42	112.59	116.91	141.36
减速级数 Reduction stage	1	1	1	1	2	2	2	2	2	2	2	3	3
减速比 Ratio	91.36	102.88	118.98	127.74	145.36	165.64	191.56	231.61	301.68	392.98			
输出轴转速 r/min Output shaft speed	33	29	25	24	21	18	16	13	9.9	7.6			
允许力矩 N.m Allowable torque	159.23	179.31	207.37	222.63	253.34	288.69	300.00	300.00	300.00	300.00			
减速级数 Reduction stage	3	3	3	3	3	3	3	3	3	3			