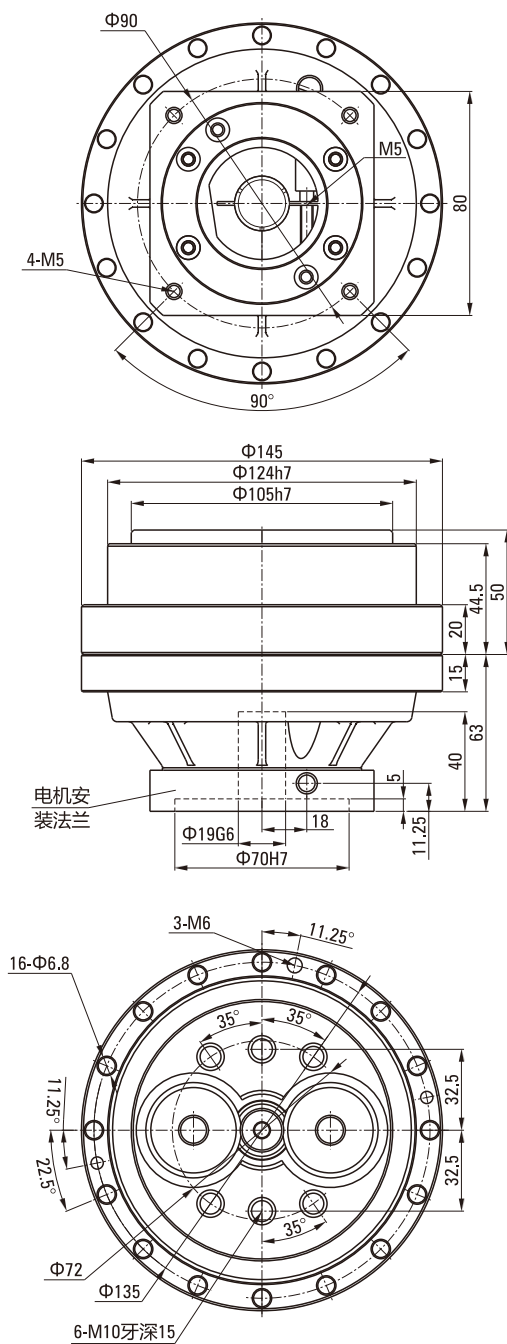


# REA系列外形尺寸图

## REA SERIES OUTLINE DIMENSION DRAWING

### 150BX-REA-19 外形图 150BX-REA-19 Outline Drawing

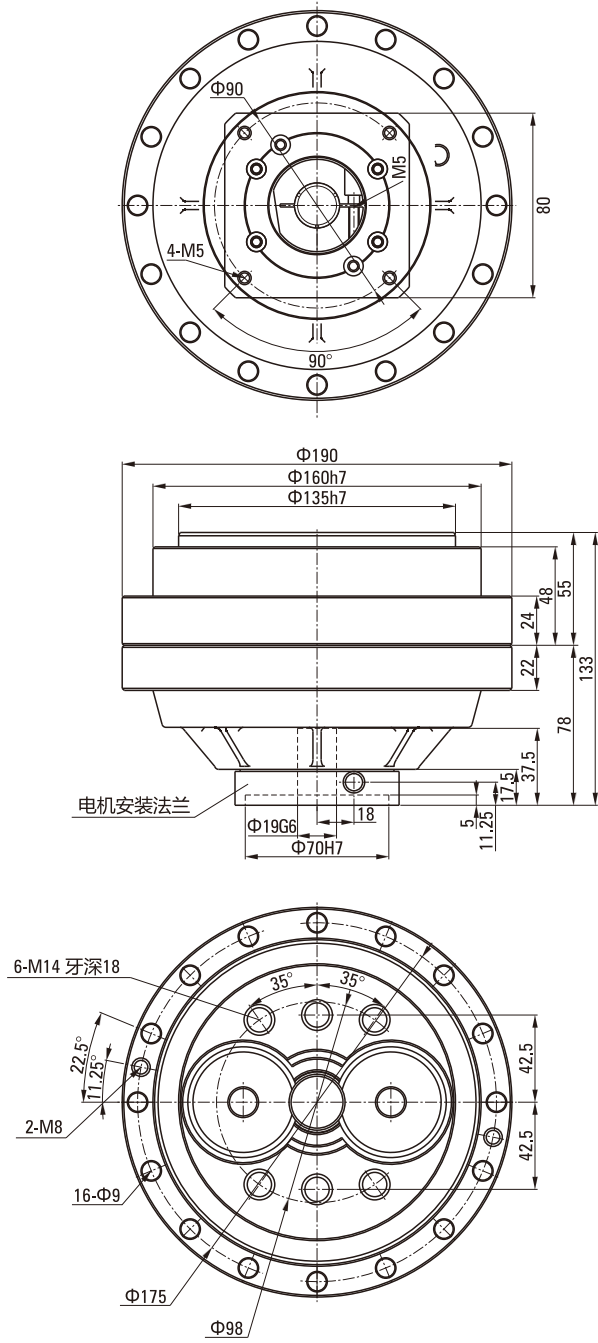


#### ● 说明 Note:

1. 本图适用电机轴:  $\leq 19 \times 40L$ ; 电机轴用锁紧器锁紧。This figure applies to the motor shaft:  $\leq 19 \times 40L$ ; motor shaft lock use locker.
2. 减速机速比: (41,57,81,105,121,141,161):1 (轴输出)。Speed reduction ratio: (41,57,81,105,121,141,161): 1 (shaft output).
3. 润滑油脂: VIGO GREASE RE0 或 RE-00 (MOLYWHITE)。Lubricants: VIGO GREASE RE0 or RE-00 (MOLYWHITE).
4. 额定输出扭矩: 196N.m (输出转速: 15R/Min)。Rated output torque: 196N.m (output speed: 15R/Min).
5. 电机安装法兰依电机型号提供。Motor mounting flange according to motor model.

# REA系列外形尺寸图 REA SERIES OUTLINE DIMENSION DRAWING

## 190BX-REA-19 外形图 190BX-REA-19 Outline Drawing



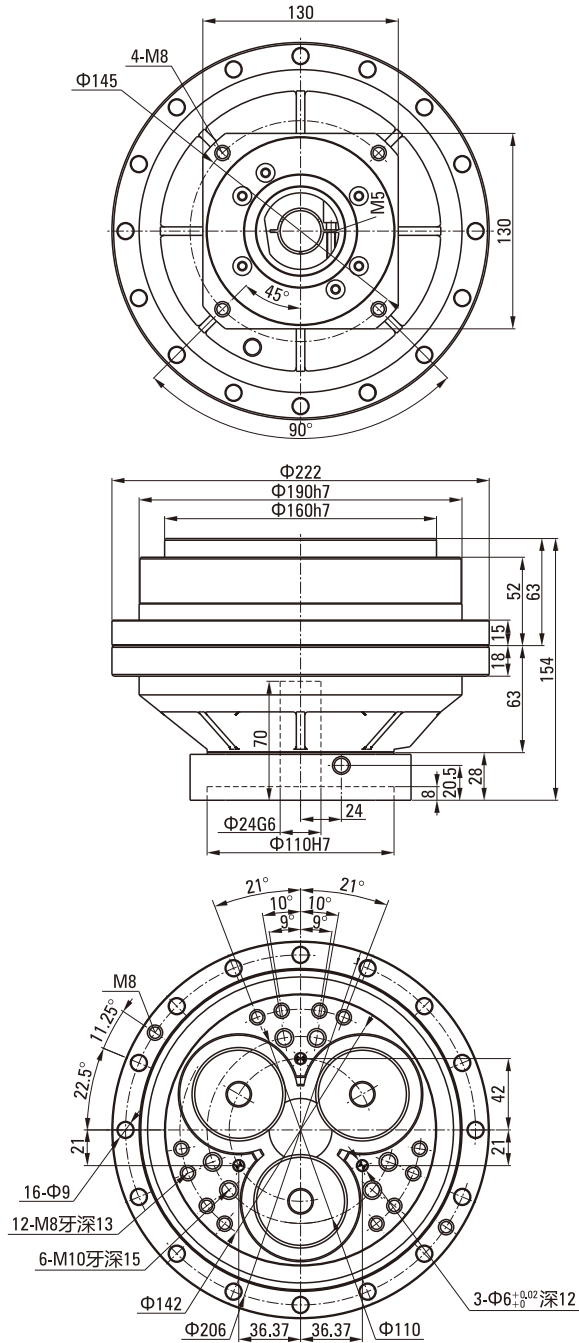
● 说明 Note:

1. 本图适用电机轴:  $\leq 19x40L$ ; 电机轴用锁紧器锁紧。This figure applies to the motor shaft:  $\leq 19x40L$ ; motor shaft lock use locker.
2. 减速机速比: (41,57,81,105,121,153):1 (轴输出)。Speed reduction ratio: (41,57,81,105,121,153): 1 (shaft output).
3. 润滑油脂: VIGO GREASE RE0 或 RE-00 (MOLYWHITE)。Lubricants: VIGO GREASE RE0 or RE-00 (MOLYWHITE).
4. 额定输出扭矩: 392N.m (输出转速: 15R/Min)。Rated output torque: 392N.m (output speed: 15R/Min).
5. 电机安装法兰依电机型号提供。Motor mounting flange according to motor model.



# REA系列外形尺寸图 REA SERIES OUTLINE DIMENSION DRAWING

220BX-REA-24 外形图 220BX-REA-24 Outline Drawing



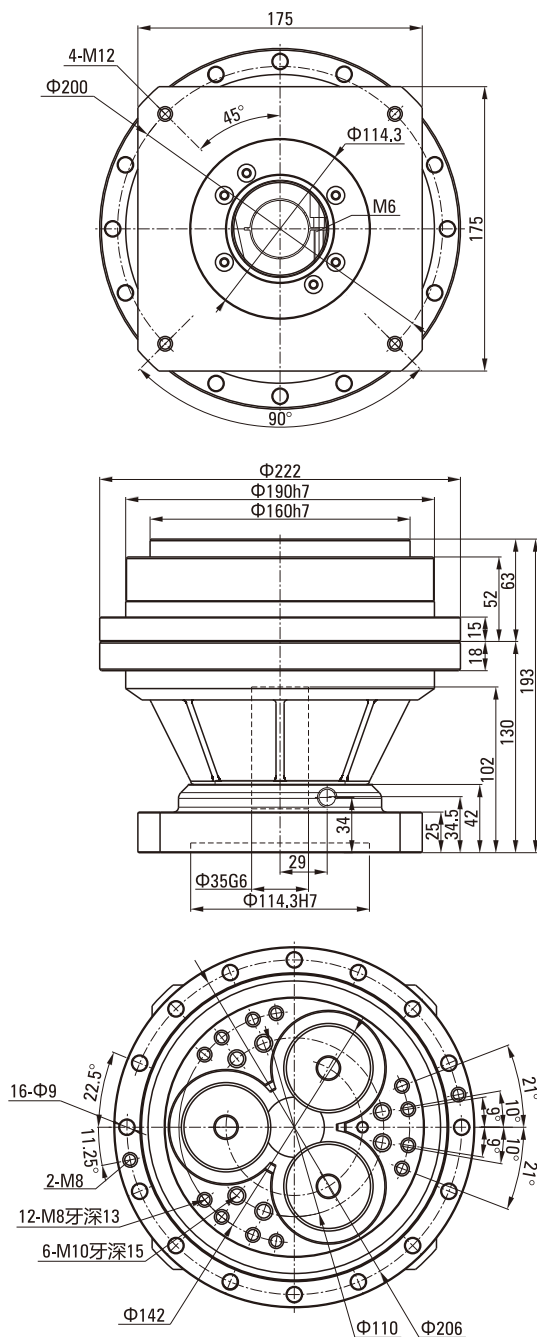
● 说明 Note:

1. 本图适用电机轴:  $\leq 24 \times 70L$ ; 电机轴用锁紧器锁紧。This figure applies to the motor shaft:  $\leq 24 \times 70L$ ; motor shaft lock use locker.
2. 减速机速比: (57,81,101,121,153):1 (轴输出)。Speed reduction ratio: (57,81,101,121,153): 1 (shaft output).
3. 润滑油脂: VIGO GREASE RE0 或 RE-00 (MOLYWHITE)。Lubricants: VIGO GREASE RE0 or RE-00 (MOLYWHITE).
4. 额定输出扭矩: 784N.m (输出转速: 15R/Min)。Rated output torque: 784N.m (output speed: 15R/Min).
5. 电机安装法兰依电机型号提供。Motor mounting flange according to motor model.

# REA系列外形尺寸图

## REA SERIES OUTLINE DIMENSION DRAWING

### 220BX-REA-35 外形图 220BX-REA-35 Outline Drawing

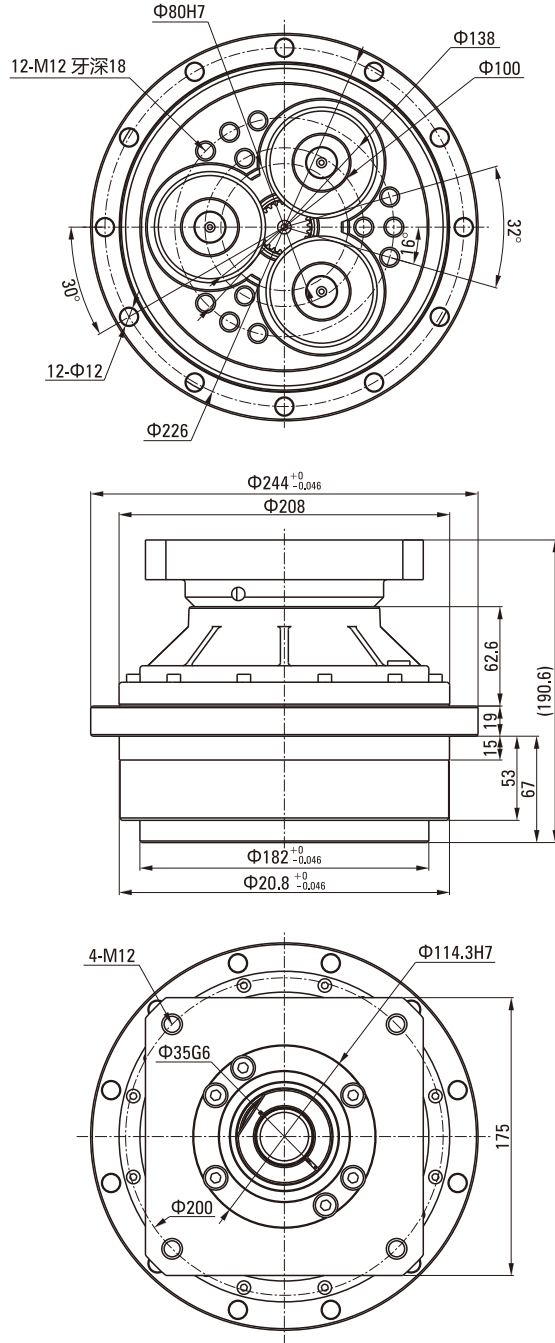


#### ● 说明 Note:

1. 本图适用电机轴:  $\leq 35 \times 80L$ ; 电机轴用锁紧器锁紧。This figure applies to the motor shaft:  $\leq 35 \times 80L$ ; motor shaft lock use locker.
2. 减速机速比: (57,81,101,121,153):1 (轴输出)。Speed reduction ratio: (57,81,101,121,153): 1 (shaft output).
3. 润滑油脂: VIGO GREASE RE0 或 RE-00 (MOLYWHITE)。Lubricants: VIGO GREASE RE0 or RE-00 (MOLYWHITE).
4. 额定输出扭矩: 784N.m (输出转速: 15R/Min); 容许力矩1700N.m, 容许推力7400N。Rated output torque: 784N.m (output speed: 15R/Min); Allowable moment 1700N.m, allowable thrust 7400N.
5. 电机安装法兰依电机型号提供。Motor mounting flange according to motor model.

# REA系列外形尺寸图 REA SERIES OUTLINE DIMENSION DRAWING

## 250BX-REA 外形图 250BX-REA Outline Drawing



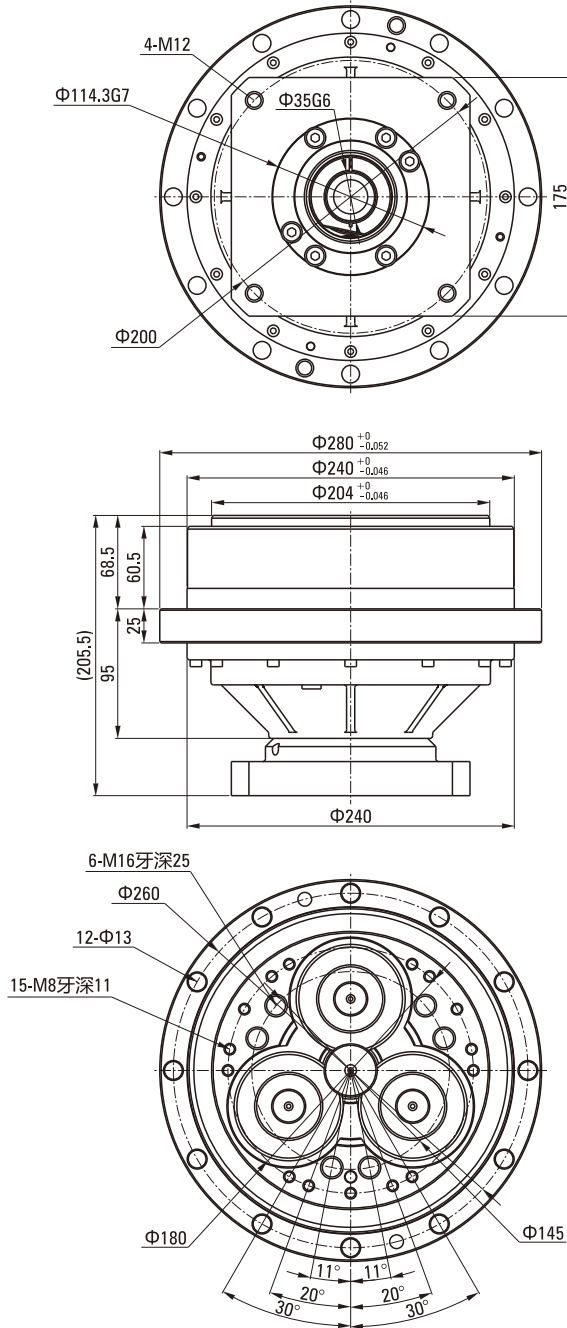
● 说明 Note:

1. 本图适用电机轴:  $\leq 35 \times 80L$ ; 电机轴用锁紧器锁紧。This figure applies to the motor shaft:  $\leq 35 \times 80L$ ; motor shaft lock use locker.
2. 减速机速比: (81,111,161,175.28):1 (轴输出)。Speed reduction ratio: (81,111,161,175.28): 1 (shaft output).
3. 润滑油脂: VIGO GREASE RE0 或 RE-00 (MOLYWHITE)。Lubricants: VIGO GREASE RE0 or RE-00 (MOLYWHITE).
4. 额定输出扭矩: 1078N.m (输出转速: 15R/Min)。Rated output torque: 1078N.m (output speed: 15R/Min).
5. 电机安装法兰依电机型号提供。Motor mounting flange according to motor model.

# REA系列外形尺寸图

## REA SERIES OUTLINE DIMENSION DRAWING

280BX-REA 外形图 280BX-REA Outline Drawing

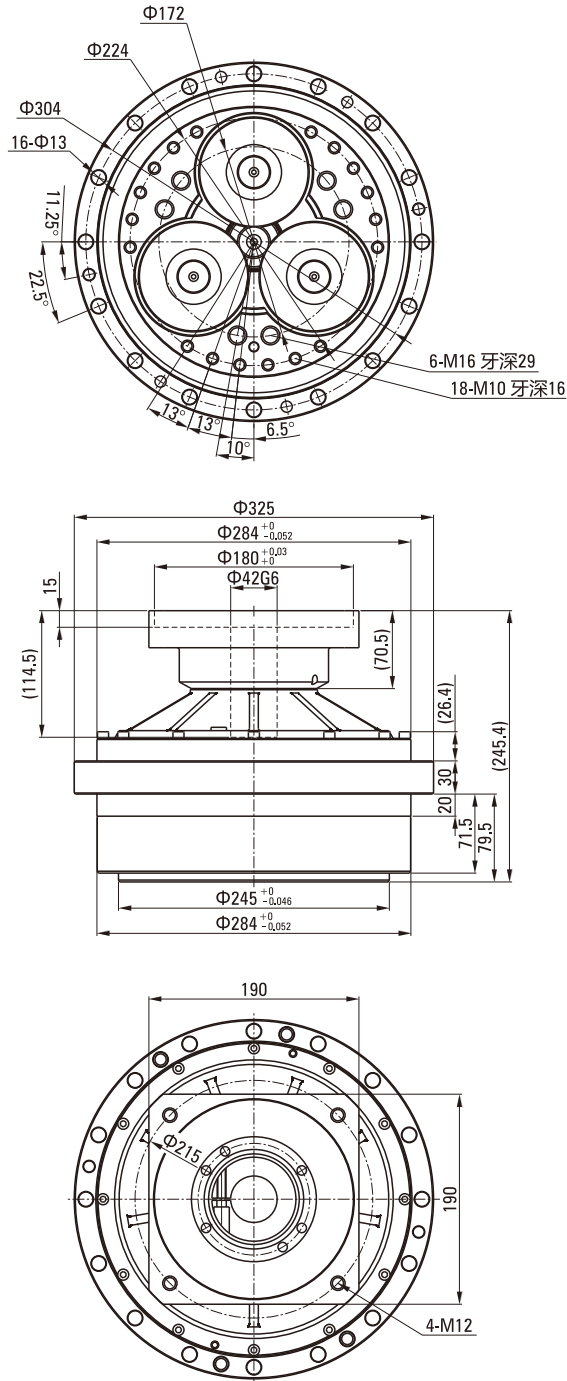


● 说明 Note:

1. 本图适用电机轴:  $\leq 35 \times 70L$ ; 电机轴用锁紧器锁紧。This figure applies to the motor shaft:  $\leq 35 \times 70L$ ; Motor shaft is locked by locker.
2. 减速机速比: (81,101,129,145,171): 1 (轴输出)。Speed reduction ratio: (81,101,129,145,171): 1 (shaft output).
3. 润滑油脂: VIGO GREASE RE0或RE-00 (MOLYWHITE)。Lubricants: VIGO GREASE RE0 or RE-00 (MOLYWHITE).
4. 额定输出扭矩: 1568N.m (输出转速: 15R/Min)。Rated output torque: 1568N.m (output speed: 15R/Min).
5. 电机安装法兰依电机型号提供。The motor mounting flange is supplied according to the motor type.

# REA系列外形尺寸图 REA SERIES OUTLINE DIMENSION DRAWING

## 320BX-REA 外形图 320BX-REA Outline Drawing



● 说明 Note:

1. 本图适用电机轴:  $\leq 42 \times 114L$ ; 电机轴用锁紧器锁紧。This figure applies to the motor shaft:  $\leq 42 \times 114L$ ; motor shaft lock use locker.
2. 减速机速比: (81,101,118.5,129,141,171,185):1 (轴输出)。Speed reduction ratio: (81,101,118.5,129,141,171,185): 1 (shaft output).
3. 润滑油脂: VIGO GREASE RE0 或 RE-00 (MOLYWHITE)。Lubricants: VIGO GREASE RE0 or RE-00 (MOLYWHITE).
4. 额定输出扭矩: 3136N.m (输出转速: 15R/Min)。Rated output torque: 3136N.m (output speed: 15R/Min).
5. 电机安装法兰依电机型号提供。Motor mounting flange according to motor model.